



AVM400B



ETS MARS



HD 1080P



MicroSD
Card
Recording



External I/O



PoE



Mobile
Surveillance

2MP Box IP Camera

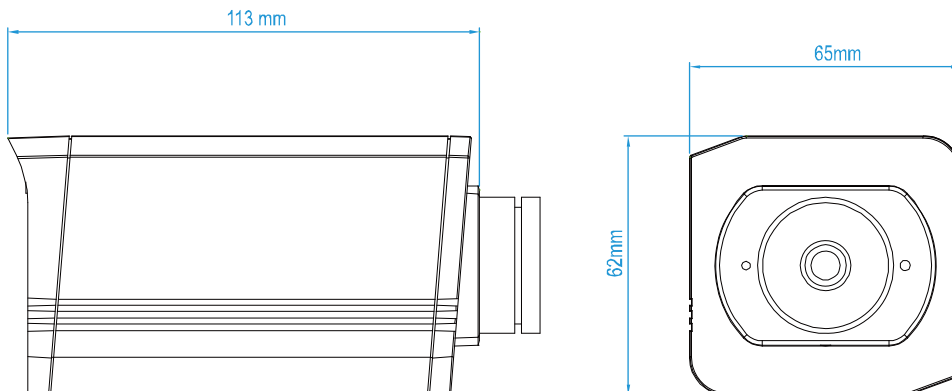
FEATURES

- **External alarm I/O device** connection



- **IR Shift** support for day & night surveillance
- **POE (Power-over-Ethernet)** support to eliminate the use of power cables and reduce installation costs
- **ONVIF (ONVIFS)** standard supported to simplify system integration
- **Microphone built-in** for audio recording
- **Micro SD card** support (up to 64GB) for video storage
- **Remote Surveillance**
 - **Fully compatible** with **iOS** and **Android** devices, and **Internet Explorer** on Windows operating system
 - Free PC program, **CMS Lite**, for 32CH devices monitoring on Windows operating system
 - **Push Video** available on your iOS and Android devices when used with Push Video NVR series.

DIMENSIONS



** Dimensional tolerance: (± 5mm)



● SPECIFICATIONS

■ Network

Network Compression	H.264 / MPEG4 / MJPEG
Multiple Video Streaming (Encode Modes, IPS, Resolution)	YES
LAN Port	YES
LAN Speed	10/100 Based-T Ethernet
Supported Protocols	DDNS, PPPoE, DHCP, NTP, SNTP, TCP/IP, ICMP, SMTP, FTP, HTTP, RTP, RTSP, RTCP, IPv4, Bonjour, UPnP, DNS, UDP, IGMP, QoS, SNMP
ONVIF Compatible	YES (Profile S)
Frame Rate	30fps
Number of Online Users	10
Security	(1) Multiple user access levels with password (2) IP address filtering (3) Digest authentication
Remote Access	(1) Internet Explorer on Windows operating system (2) CMS Lite, 32CH CMS software for Windows operating system (3) EagleEyes on iOS & Android mobile devices

■ Camera

Image Sensor	1/2.9" SONY CMOS image sensor
Video Resolution	1920 x 1080; 1280 x 720; 640 x 480; 320 x 240
Min Illumination	0.1 Lux / F1.5
Shutter Speed	1 / 60 (1/50) to 1 / 100,000 sec.
S/N Ratio	More than 48dB (AGC off)
Lens	C/CS Mount (MBLF >= 5.8mm)
Viewing Angle	73.2°(Horizontal) / 47.4°(Vertical) / 85.4°(Diagonal) (Base on f3.8mm fixed Lens)
IR Shift	YES
White Balance	ATW
AGC	Auto
IRIS Mode	AES / DC Iris
POE	YES (IEEE 802.3af)
External Alarm I/O	YES
RAM	20MB
Micro SD Card Slot	YES (up to 64GB)
Microphone	YES
Line in	YES
Power Source (±10%)	12V / 1A
Operating Temperature	0°C~40°C
Operating Humidity	90% or less relative humidity
Net Weight (Kg)	0.4



● SPECIFICATIONS (CONTINUED)

■ Others	
Mobile Surveillance	iPad / iPhone / Android mobile device
Motion Detection	YES
Event Notification	FTP / Email / SMS
RTC (real-time clock)	YES
Digital Pan / Tilt / Zoom	YES
Minimum Web Browsing Requirements	<ul style="list-style-type: none"> • Intel core i3 or higher, or equivalent AMD • 2GB RAM • AGP graphics card, Direct Draw, 32MB RAM • Windows 10, Windows 8, Windows 7, Windows Vista & Windows XP, DirectX 9.0 or later • Internet Explorer 7.x or later (Windows Edge not supported)

*The specifications are subject to change without notice.