



TS1000

TS1000 / 1011 / 1022

Access Control
Turnstile Range



TS1000 - Tripod Turnstile

TS1011 - Tripod Turnstile with controller and RFID Reader

TS1022 - Tripod Turnstile with controller and fingerprint & RFID Reader

Features

Standard Features

- Alloy steel tripod hub
- Manufactured from SUS304 stainless steel
- Drop arm for emergencies
- Fluent operation for heavy traffic
- Anti-tailgate

Enhanced Features

- Integrated with controller on biometric & RFID models
- Electrical interface inside for 3rd-party devices

Software

- ZK Access Control Management 5.2

Alternative & Related Options



inBio Controllers



TS2000



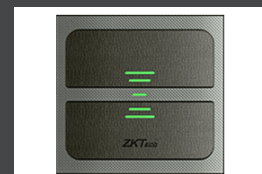
F12



RFID



MultiBio700

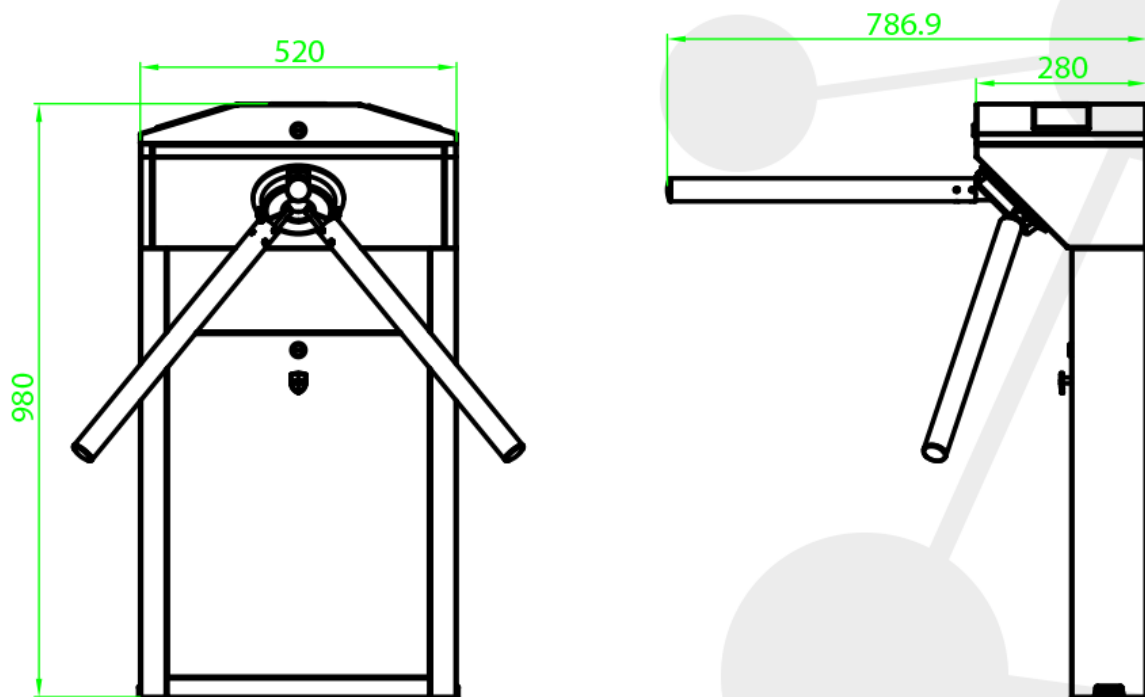


KR600

Specifications

- Power: AC220V / 110V, 50 / 60Hz
- Operating Temperature: -28°C ~ 60°C
- Operating Humidity: 5% ~ 85%
- Environment: Indoor / Outdoor (need enclosure)
- Rated Power: 60W
- Flow Rate: 25 ~ 48 passing / minute
- Ingress Protection: IP54
- Material: SUS304 stainless steel
- Pictogram Indication: Yes
- Control System: Input controlled by dry contact
- Emergency Input: Yes
- Optional Functions: 3rd-party controller integration, ticket system, counter
- Dimensions: 520 X 980 X 786mm
- Package Dimensions: 600 X 1080 X 380mm
- Weight: Net: 34kg / Gross: 40kg

Dimensions



ZKTeco, ZKSoftware, ZKAccess, ZKIVision, ZKBioblock, ZKAFIS are either registered trademarks or trademarks of ZKTECO INC and ZKTeco South Africa.

You must obtain written and signed permission from ZKTECO before using any photograph owned or licenced by ZKTECO.

Copyright © 1998-2014 ZKTECO INC. All rights reserved.